

Main Features

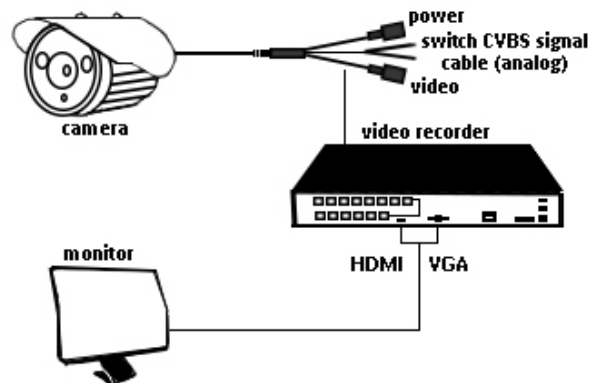
- **Auto Gain control (AGC)**
Built-In Auto gain control circuit.
The color camera can get high definition picture in low Lux condition.
- **Auto Electronic Shutter**
Built-In auto electronic shutter function
The color camera's AES speed can reach 1/100,000s.
- **Gama Characteristic**
Camera Gama Characteristic is 0.45
- **Scanning Mode**
NTSC or PAL mode.

Power supply must pass safety certification and its output,current, voltage polarity and operating temperature must meet requirement for this equipment.

Please install lightning protection devices or cut off the power in thunder and lightning conditions

To capture high-quality video and pictures,please make sure the network connection is stable and smooth.

Device connection



Safety Instructions

1. Before Using the camera, please read this manual and keep it for later reference.
2. Installation should be done by professional service and follow manufacturers instructions.
3. Do not expose lens to intense light for long periods of time.
4. Do not touch sensor directly, use dust proof covers when camera is not in use.
5. Use a dry soft cloth to clean the camera, if needed a mixture of detergent and water may be used to wipe the lens clean.
6. Do not install near vents to prevent moisture build up.

Specifications

Model#: TVIOD-SB1IRE	
Camera	
Image Sensor	NTSC 1/4" APTINA 1.0MP CMOS
Image Resolution	720P/960H 1280x720
Effective Pixels	1.0MP, 1280x720
TV System	PAL/NTSC
Electronic Shutter	1/25s~1/50,000s , 1/30s~1/60,000s
S/N Ratio	≥50dB
Scanning System	Progressive Scan
Lens	3.6mm/F2.0 fixed
Infrared LED	14μ x 18PCS
Infrared Distance	65 feet (20M)
IR Cut Filter	Yes
IR Status	Under 10 Lux by CDS
IR Power On	CDS Auto Control
Functions	
Day/Night	Auto (ICR) / Color / B&W
OSD Menu	No
White Balance	Auto
Gain Control	Auto
Noise Reduction	2DNR
Other	
Power Supply	DC 12V ±10%, 500mA
Power Consumption	< 5.6W
Operating Environment	- 10 °C ~ 50 °C (95 % humidity Max)
Dimensions (in)	3.7 x 2.7(H) mm
Weight	450g

